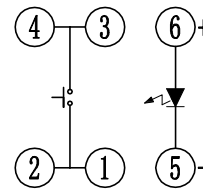
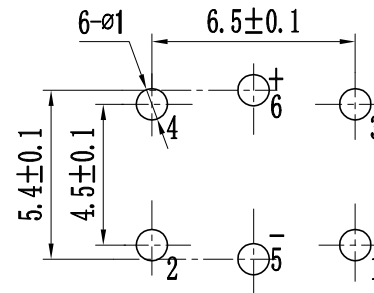


Element face bitmap



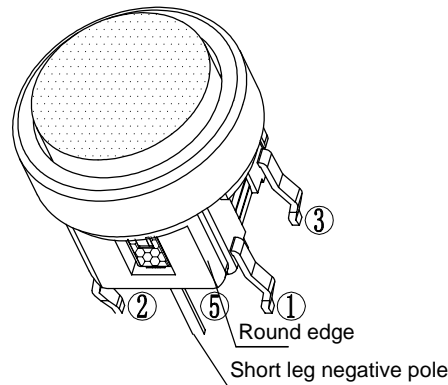
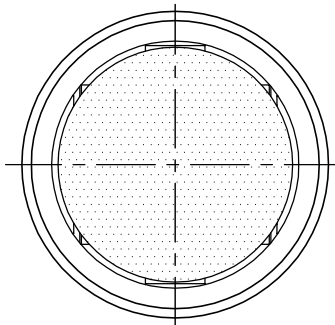
PRINCIPLE DIAGRAM



Main Specifications:


Climate Grade: -25 ~ +75
 Rated Values: 30V DC, 0.3A
 Contact Resistance: 0.05
 Dielectric Strength: 250V AC
 Insulation Resistance: 100M
 Operating Force: 260gf \pm 50gf
 Life: 10W times
 Salt mist Test: 12 \pm 1 hours

Led Color	Part No
Red	TPDD015AR
Blue	TPDD015ABL
Yellow	TPDD015AY
Green	TPDD015AG



ITEM	PAPT NAME	MATERIAL	QTY	Coating/color
7	Big round hat	PC	1	Frosting
6	Round frame	PA66	1	Black
5	LED		1	transparent
4	Button	PA66	1	white
3	Shrapnel	SUS	1	Ag
2	Pedestal	PA66	1	Black
1	Clasp	H62	1	Ag

REV.	DATE	REVISION DESCRIPTION	ISSUE
A4			
A3			
A2			
A1			


ROC PU

COMMON TOLERANCE:

x.xx	± 0.10
x.x	± 0.15
x	± 0.25
ANGULAR	—

UNIT	MM	PROJECTED		PRODUCT NAME:	TPDD015AX
DRAWN BY	FUYUAN	CHECKED BY	COCO	MODEL NO:	
DATE	2017	APPROVAL BY	ALEN	Https :	www.rocpu.com

ROC PU TECHNOLOGY CO.,LTD

Copies are issued in strict confidence and shall not be reproduced or copied, or used as the basic of manufacture or sale of apparatus without permission