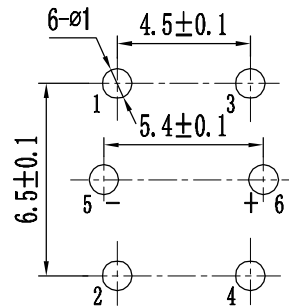
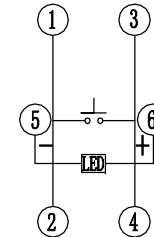


PRINCIPLE DIAGRAM



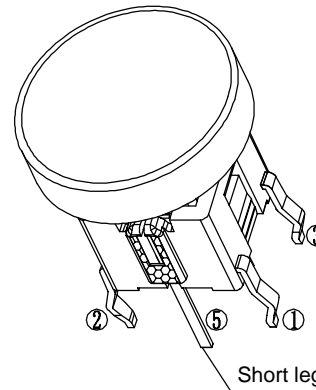
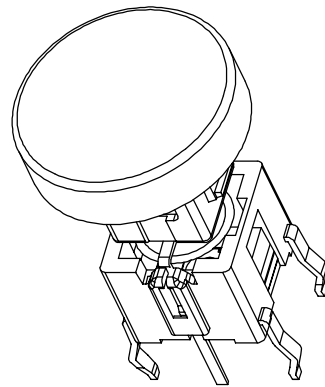
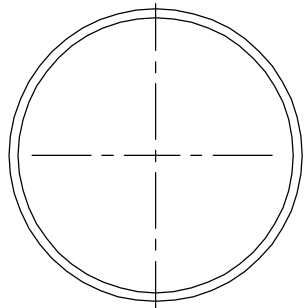
Element face bitmap



Main Specifications:

Climate Grade: -25 ~ +75  
 Rated Values: 30V DC, 0.3A  
 Contact Resistance: 0.05  
 Dielectric Strength: 250V AC  
 Insulation Resistance: 100M  
 Operating Force: 260gf ± 50gf  
 Life: 10W times  
 Salt mist Test: 12 ± 1 hours

Led Color	Part No
Red	TPDD012AR
Blue	TPDD012ABL
Yellow	TPDD012AY
Green	TPDD012AG



Short leg negative pole

ITEM	PAPT NAME	MATERIAL	QTY	Coating/color
6	Round cap	ABS	1	white
5	LED		1	transparent
4	Button	PA66	1	white
3	Shrapnel	SUS	1	Ag
2	Pedestal	PA66	1	Black
1	Clasp	H62	1	Ag

REV.	DATE	REVISION DESCRIPTION	ISSUE
A4			
A3			
A2			
A1			



COMMON TOLERANCE:

x.xx	± 0.10
x.x	± 0.15
x	± 0.25
ANGULAR	—

UNIT	MM	PROJECTED	PRODUCT NAME:	TPDD012AX
DRAWN BY	FUYUAN	CHECKED BY	COCO	MODEL NO:
DATE	2017	APPROVAL BY	ALEN	Https : www.rocpu.com
<b>ROC PU TECHNOLOGY CO.,LTD</b>				
Copies are issued in strict confidence and shall not be reproduced or copied, or used as the basic of manufacture or sale of apparatus without permission				