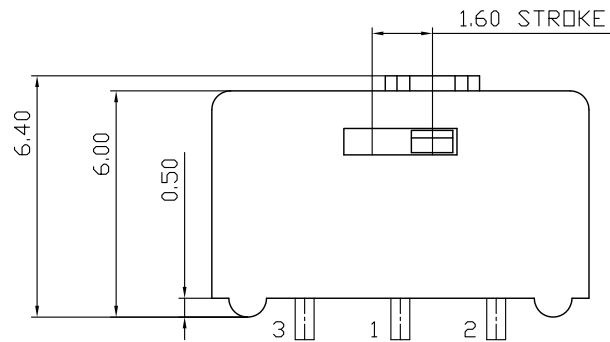
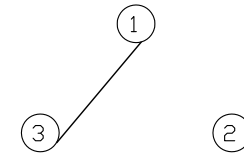
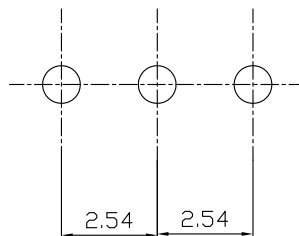


CIRCUIT



P.C.B DIMENSION



SPECIFICATION

- 1.RATING : 0.5A, DC 12V ~ 0.3A, DC 24V
- 2.CONTACT RESISTANCE : 30Ωhm MAX
- 3.TRAVEL : 1.6mm
- 4.OPERATING FORCE : 800gf MAX
- 5.LIFE CYCLE : 1,000 CYCLE<WITH LOAD>

A4				
A3				
A2				
A1				
REV.	DATE	REVISION	DESCRIPTION	ISSUE



COMMON TOLERANCE:

X.XX	± 0.10
X.X	± 0.15
X	± 0.25
ANGULAR	—

UNIT	MM	PROJECTED		PRODUCT NAME:
DRAWN BY	FUYUAN	CHECKED BY	COCO	MODEL NO: TP-SMI-10H
DATE	2017	APPROVAL BY	ALEN	Https: www.rocpu.tw
<b>ROC PU TECHNOLOGY CO.,LTD</b>				
<small>Copies are issued in strict confidence and shall not be reproduced or copied, or used as the basic of manufacture or sale of apparatus without permission</small>				