

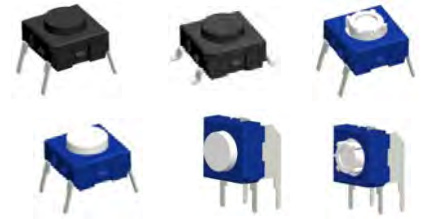
TPF10 Series Sealed 10mm Tact Switches

Features/Benefits

- Positive tactile feeling
- J or G terminations
- Various heights
- IP67

Typical Applications

- Automotive
- Cellular phones
- Industrial electronics
- Network infrastructure and IT
- Elevator



Liability Limitation

This datasheet does not provide enough information for applications that require a certain level of quality or safety such as automotive, medical systems, or safety equipment. Please contact customer service for the contractual specification package.

Environmental

Basic temp.: -40/ +115°C

High temp.: -40/ +160°C

Process

SOLDERING: Depending on the application, this component is suited to the following methods:

- Terminals being silver or gold plated over a nickel barrier, the use of slightly activated flux is suitable.
- Soldering on double wave machine for vertical versions: soldering time ≤ 5 sec.
- Cleaning according to typical washing processes.
- Infrared Reflow Soldering in accordance with IEC 61760-1.

Electrical

Through-hole/ SMD/ Right angle
 Single pole/ Momentary
 50mA/ 24VDC
 10,000,000 operations life time(Max.)
 Meet IP67
 Contact resistance : < 30mΩ (Initially)
 Insulation resistance : > 10MΩ
 Max actuation force : 100N for 10 Sec.
 Actuation force : 3.5N±1N(Standard)

Packaging

Tape and Reel (see series for quantity information)

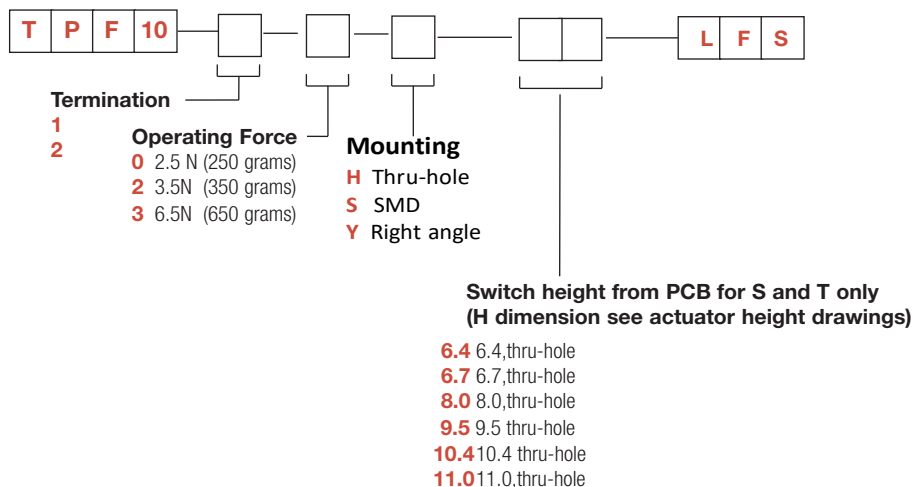
NOTE: Specifications listed above are for switches with standard options.

How To Order

Our easy build-a-switch concept allows you to mix and match options to create the switch you need. To order, select desired option from each category and place it in the appropriate box.

However, please note that all the combinations of these options are not feasible.

For any part number different from those listed above, please consult your local representative.



Dimensions are shown: mm
 Specifications and dimensions subject to change

WWW.ROCPU.TW

B

Tactile Switches

TPF10 Series Sealed 10mm Tact Switches

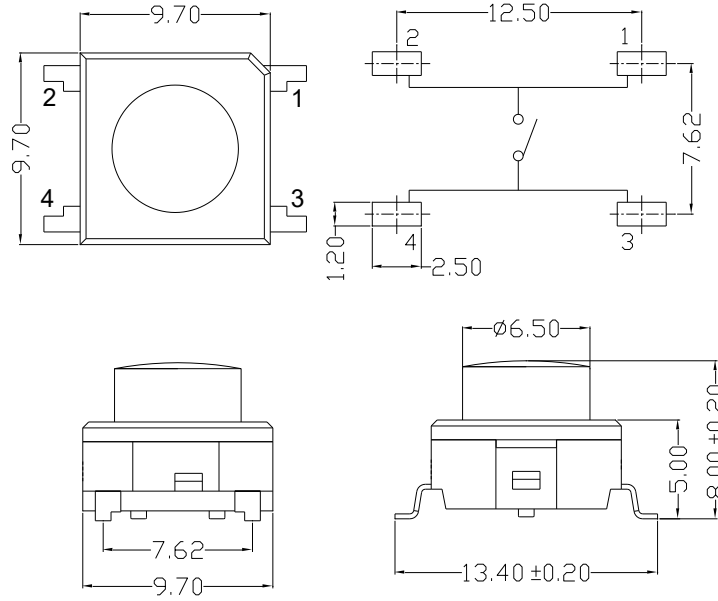
Tactile Switches



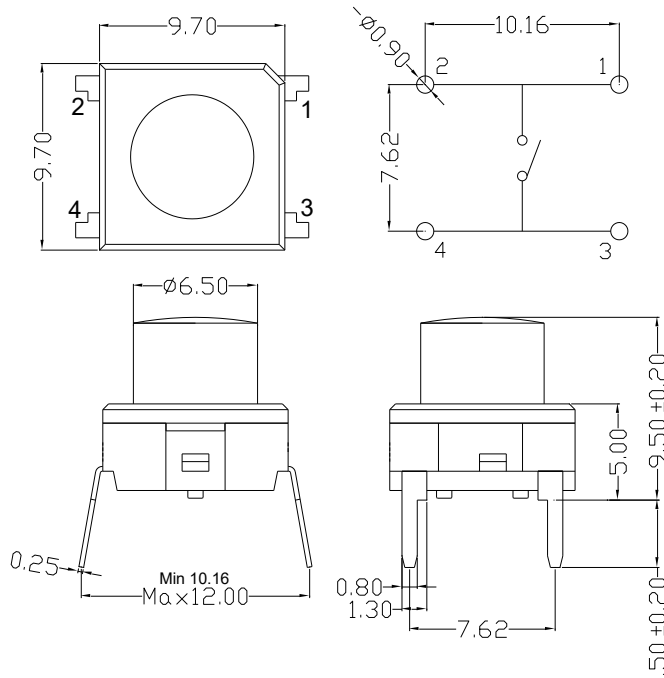
B



TPF10-1(8.0)
Dimensions (SMD)



TPF10-1(9.5)
Dimensions (Through-hole)



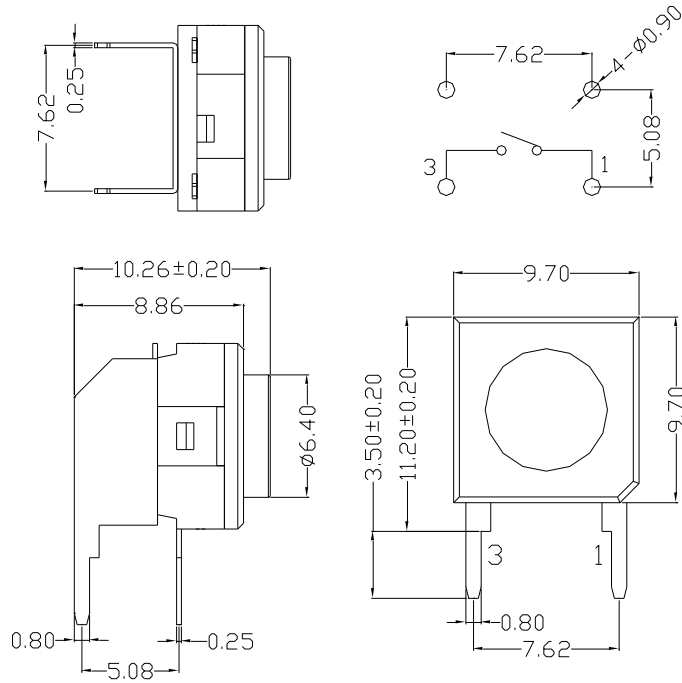
3

TPF10 Series Sealed 10 mm Tact Switches

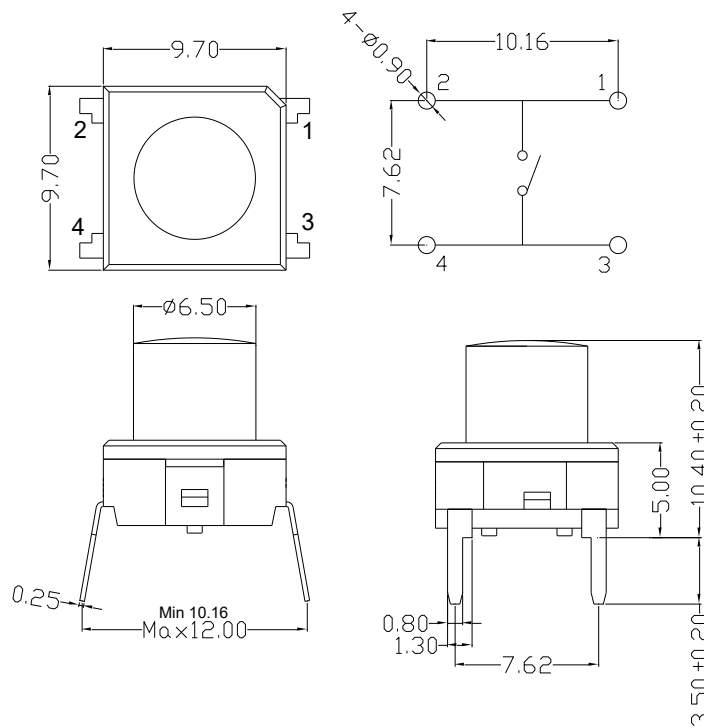
Tactile Switches



TPF10-1
Dimensions (Right angle)



TPF10-1(10.4)
Dimensions (Through-hole)

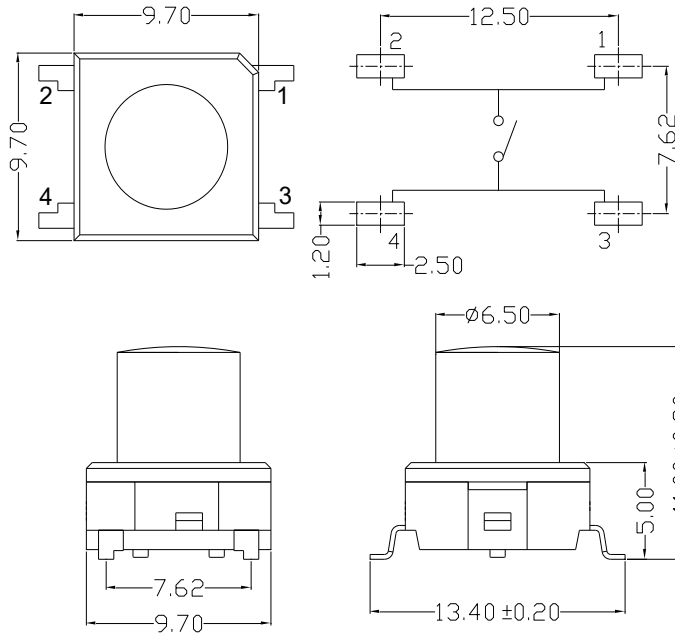


Dimensions are shown: mm
Specifications and dimensions subject to change

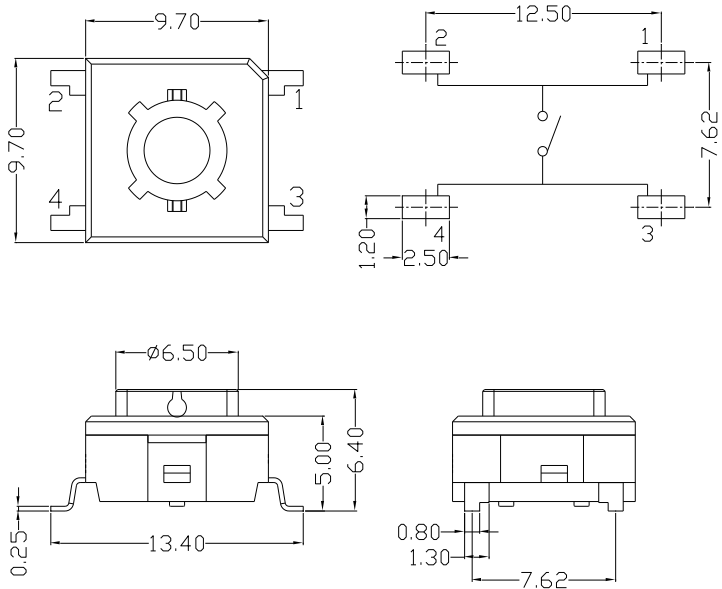
TPF10 Series Sealed 10 mm Tact Switches



TPF10-1(11.0)
Dimensions (SMD)



TPF10-2
Dimensions (SMD)



B

Tactile Switches