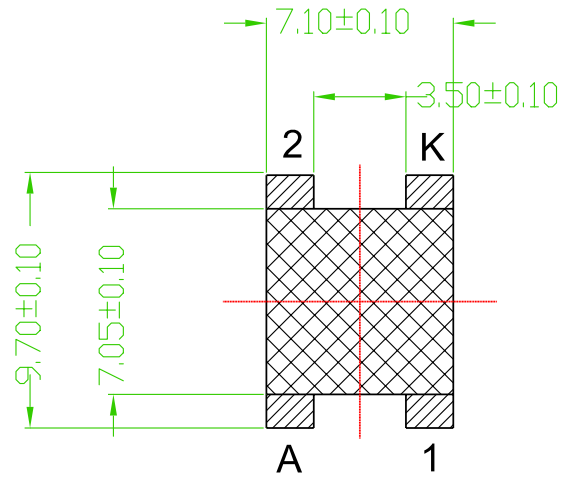
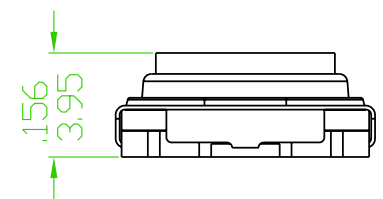
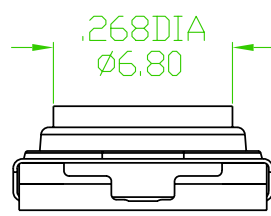


PCB LAYOUT

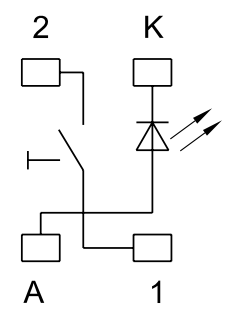
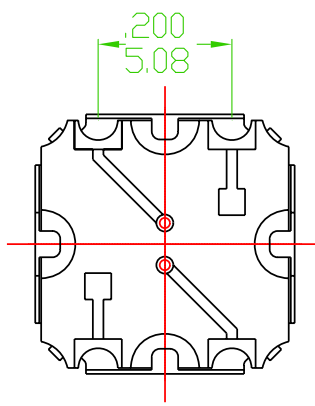


1	260±150gf
2	500±150gf
3	680±180gf

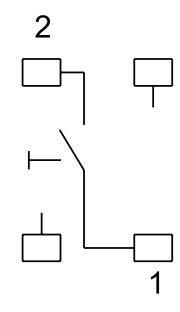


TP2-10-X-X-H

1	White Light
3	Red Light
4	Orange Light
5	Yellow Light
6	Green Light
7	Blue Light
66L	Pure Green highlights
36	Red and green light



WITH LED



WITHOUT LED

A4				
A3				
A2				
A1				
REV.	DATE	REVISION	DESCRIPTION	ISSUE
		A		B



COMMON TOLERANCE:	
X.XX	± 0.10
X.X	± 0.15
X	± 0.25
ANGULAR	—

UNIT	MM	PROJECTED		PRODUCT NAME:
DRAWN BY	FUYUAN	CHECKED BY	COCO	MODEL NO: TP2-10-X-X-H
DATE	2017	APPROVAL BY	ALEN	Https: www.rocpu.tw
ROC PU TECHNOLOGY CO.,LTD				
<small>Copies are issued in strict confidence and shall not be reproduced or copied, or used as the basic of manufacture or sale of apparatus without permission</small>				