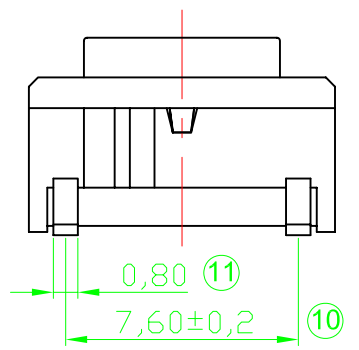
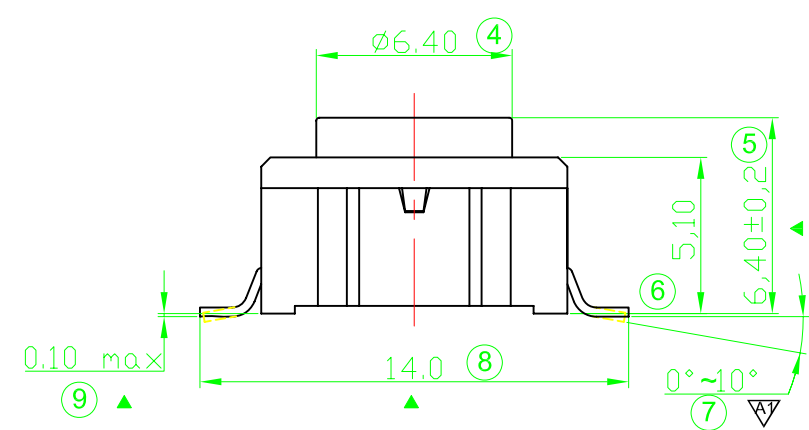
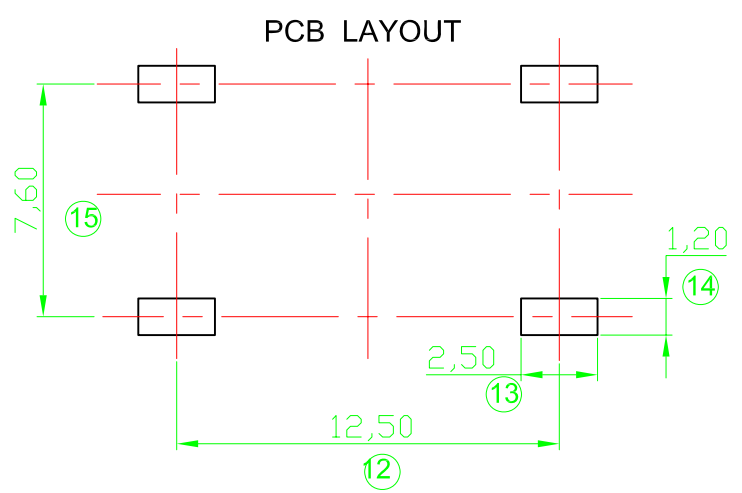
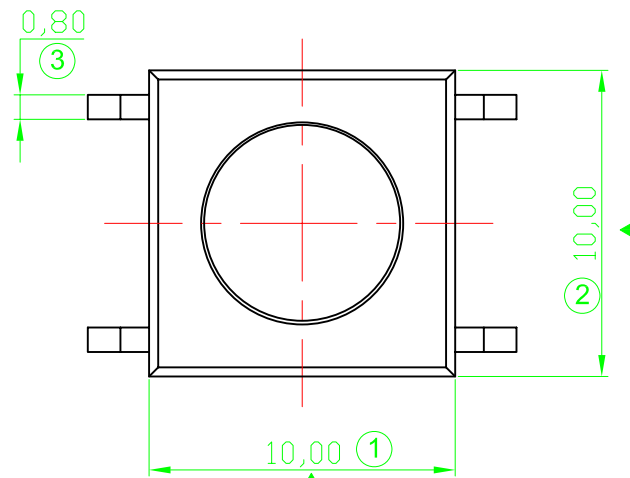


A B C D E F



**Specifications**

|                    |                           |
|--------------------|---------------------------|
| Electrical Ratings | 50mA @ 24VDC              |
| Electrical Life    | 10,000,000 cycles typical |
| Contact Resistance | <50mΩ initial             |
| Actuation Force    | 350 ± 100gF               |
| Actuation Travel   | 1.0 ± 0.3mm               |

|                       |                              |
|-----------------------|------------------------------|
| Dielectric Strength   | 250Vrms min between contacts |
| Insulation Resistance | >100MΩ min @ 250VDC          |
| Operating Temperature | -40°C to 85°C                |
| Storage Temperature   | -40°C to 85°C                |
| Sealing Degree        | IP67                         |

| A4   |      |          |             |       |
|------|------|----------|-------------|-------|
| A3   |      |          |             |       |
| A2   |      |          |             |       |
| A1   |      |          |             |       |
| REV. | DATE | REVISION | DESCRIPTION | ISSUE |
|      |      | A        |             | B     |



|                   |        |
|-------------------|--------|
| COMMON TOLERANCE: |        |
| X.XX              | ± 0.10 |
| X.X               | ± 0.15 |
| X                 | ± 0.25 |
| ANGULAR           | —      |

|   |        |             |      |                               |
|---|--------|-------------|------|-------------------------------|
| UNIT  | MM     | PROJECTED   |      | PRODUCT NAME:                 |
| DRAWN BY  | FUYUAN | CHECKED BY  | COCO | MODEL NO: TPS10-02-6.4-F350-2 |
| DATE  | 2017   | APPROVAL BY | ALEN | Https: www.rocpu.tw           |
| <b>ROC PU TECHNOLOGY CO.,LTD</b>  |        |             |      |                               |
| Copies are issued in strict confidence and shall not be reproduced or copied, or used as the basic of manufacture or sale of apparatus without permission |        |             |      |                               |

A B C D E F G